

PS310/320 (A305/A306)
DIGLCT1/DIGLCTDX1
(A305/A306)

PARTS CATALOG

INTRODUCTION

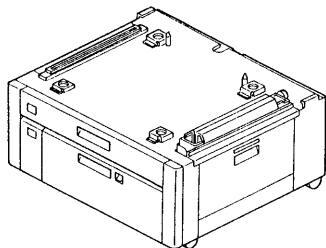
This chapter instructs you the numbers and names of this parts on this machine

INDEX to PARTS CATALOG

Location of Unit	3
1.Exterior1(A305/A306)	4
2.Exterior2(A305/A306)	6
3.PaperRegistration(A305/A306)	8
4. Paper Feed Section (A305/A306)	10
5. LCT Drive Section (A305/A306)	12
6. Inverter Section (A305/A306)	14
7.LCTTray1(A305/A306)	16
8.LCTTray2(A305/A306)	18
9. Duplex Section 1 (A305/A306)	20
10. Duplex Section 2 (A305/A306)	22
11. Duplex Section 3 (A305/A306)	24
12. Duplex Section 4 (A305/A306)	26
13. DC Drive Board (A030)	28
14. DC Drive Board (A030)	30
15. Decal and Document (A305/A306)	32
Parts Index	35

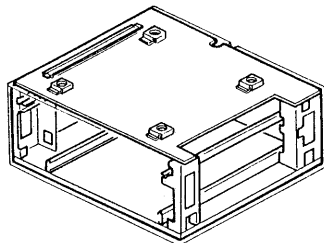
LOCATION OF UNIT

1. EXTERIOR 1 (A305/A306)



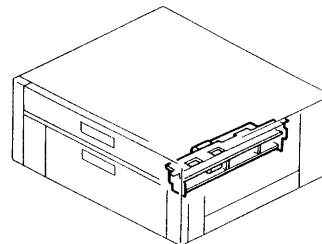
See Page 4

2. EXTERIOR 2 (A305/A306)



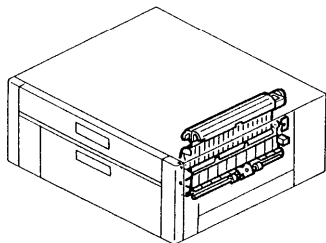
See Page 6

3. PAPER REGISTRATION (A305/A306)



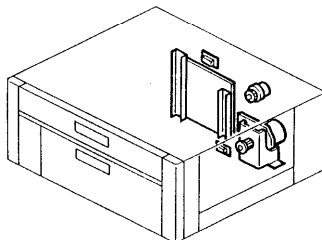
See Page 8

4. PAPER FEED SECTION (A305/A306)



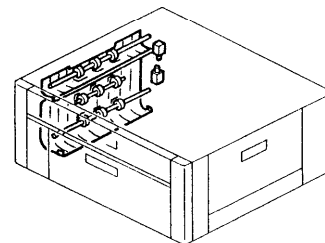
See Page 10

5. LCT DRIVE SECTION (A305/A306)



See Page 12

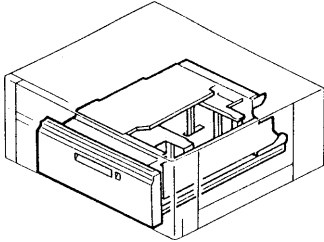
6. INVERTER SECTION (A305/A306)



See Page 14

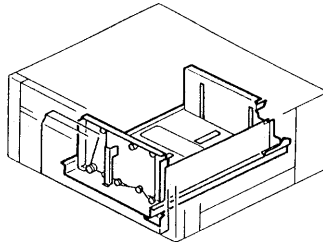
LOCATION OF UNIT

7. LCT TRAY 1 (A305/A306)



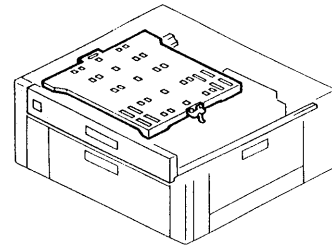
See Page 16

8. LCT TRAY 2 (A305/A306)



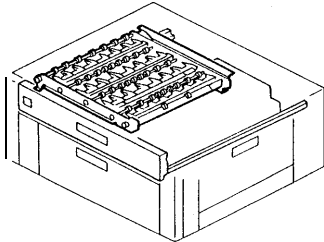
See Page 18

9. DUPLEX SECTION 1 (A305/A306)



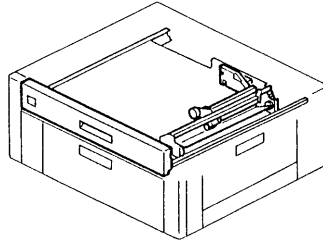
See Page 20

10. DUPLEX SECTION 2 (A305/A306)



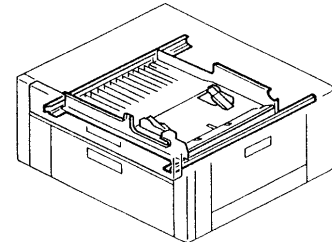
See Page 22

11. DUPLEX SECTION 3 (A305/A306)



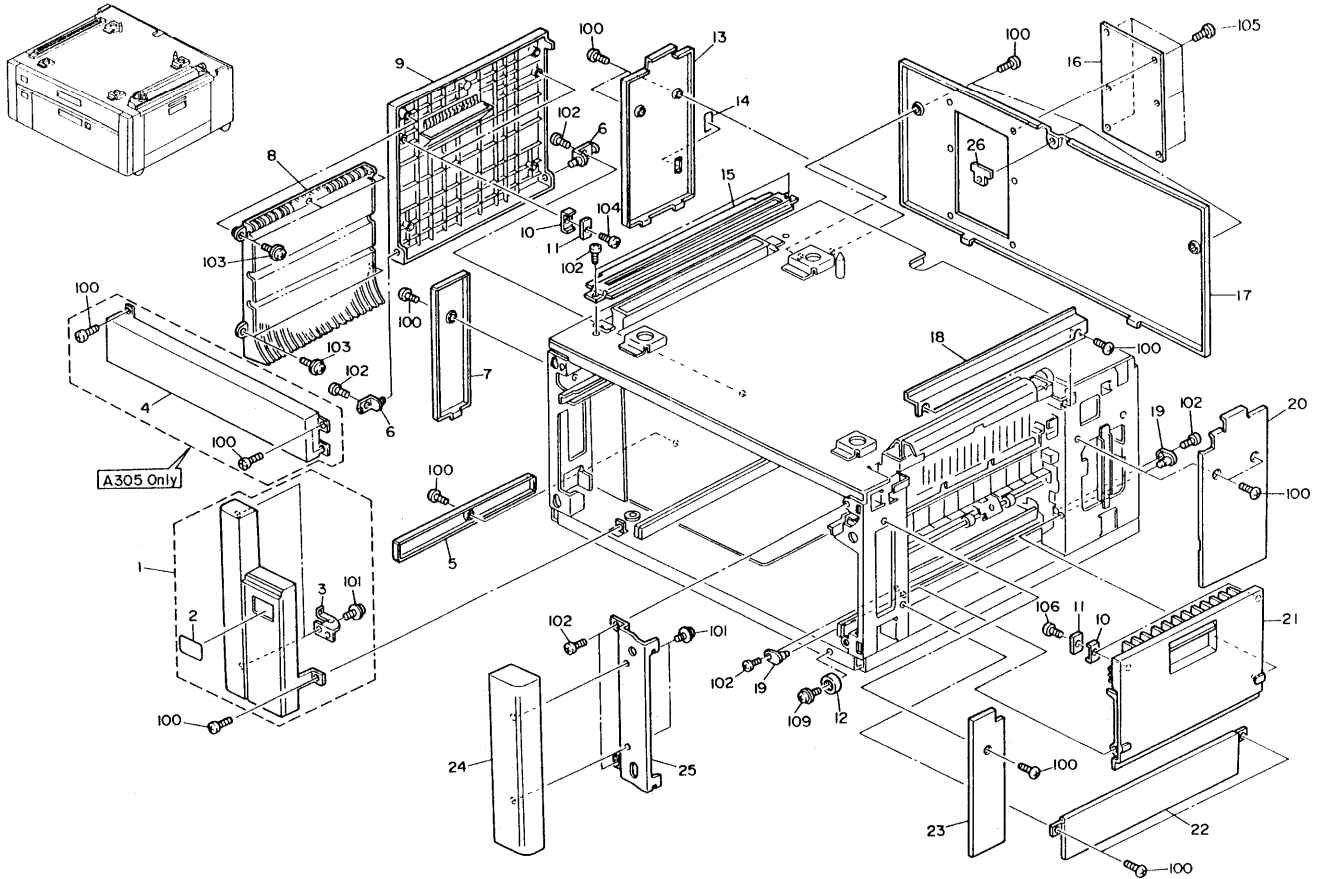
See Page 24

12. DUPLEX SECTION 4 (A305/A306)



See Page 26

1. EXTERIOR 1 (A305/A306)

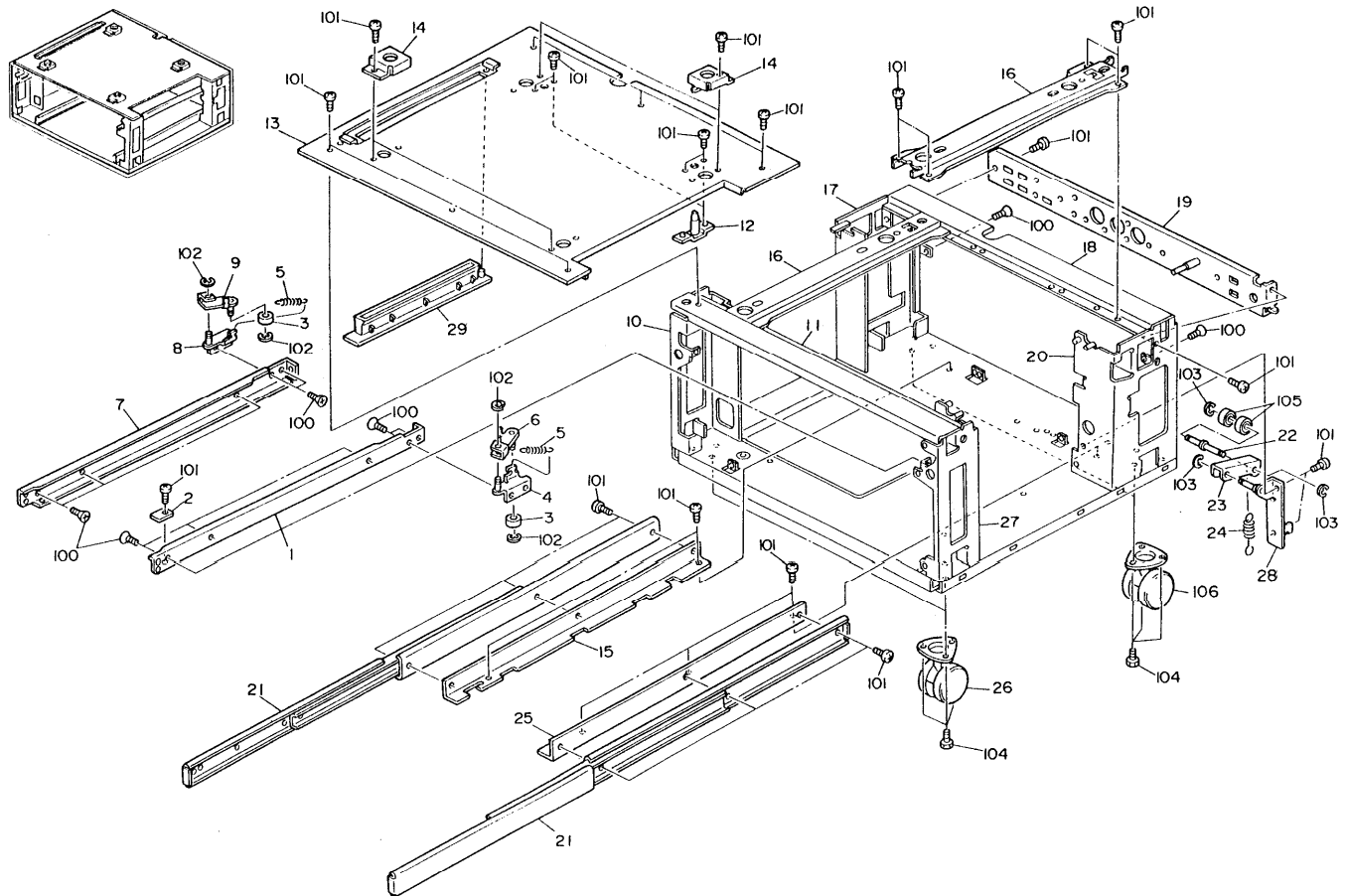


1. EXTERIOR 1 (A305/306)

Index No.	Part No.	Description	Q'ty Per Assembly
1	A306 1064	Front Left Cover	1
2	AA00 1220	Decal - N03	1
3	A306 1103	Front Left Cover Bracket	2
4	A305 2961	Upper Cover (A305)	1
5	A321 2130	Left Lower Cover	1
6	A321 2089	Guide Plate Hoder	2
7	A321 1259	Front Left Cover	1
8	A306 2134	Left Guide Plate	1
9	A321 2086	Inverter Guide Plate	1
10	A321 2804	Magnetic Holder	4
10	AA15 0267	Decal - Transport Knob	3
11	A321 2101	Magnetic Plate	4
12	A028 3055	Cushion - Paper Feed Tray	1
13	A321 1260	Rear Left Cover	1
14	AA15 2169	Seal - 21x40	1
15	A321 1087	Guide Plate Cover	1
16	A326 1301	Rear Side Plate	1
17	A306 2144	Rear Cover	1
18	A321 1265	Roller Relay Cover	1
19	A006 2665	Front Guide Holder	2
20	A321 1262	Rear Right Cover	1
21	A321 2903	Right Cover	1
22	A321 1264	Right Lower Cover	1
23	A321 1261	Front Right Cover	1
24	A321 1256	Front Cover	1
25	A306 1208	Right Front Cover Bracket	1
26	A321 1094	Rear Upper Cover	1

Index No.	Part No.	Description	Q'ty Per Assembly
100	0802 5094	Tapping Truss Head Screw - M4x8	
101	0965 4008B	Tapping Screw - M4 x 8	
102	0434 0080B	Philips Tapping Screw - M4x8	
103	0444 0102W	Tapping Hexagon Head Screw - M4x10	
104	0314 0100B	Philips Pan Head Screw - M4x10	
105	0413 0060B	Tapping Screw - M3x6	
106	0951 4012B	Philips Screw With Flat Washer	
107	0964 4010B	Tapping Screw With Flat Washer - M4	

2. EXTERIOR 2 (A305/A306)

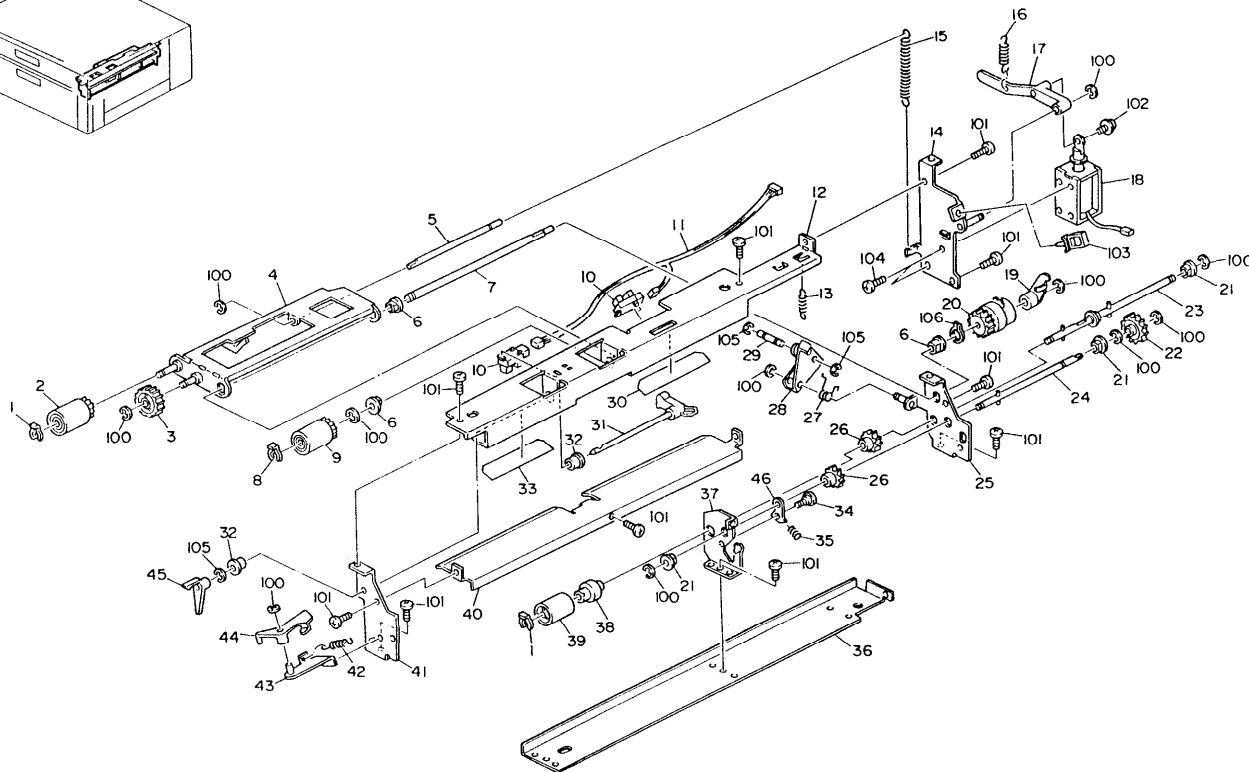
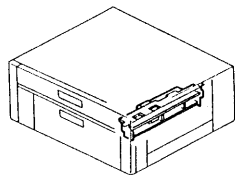


2. EXTERIOR 2 (A305/306)

Index No.	Part No.	Description	Qty Per Assembly
1	A306 1128	Right Guide Rail	1
2	A306 1139	Rail Guide	1
3	58874400	Guide Roller - Driven Unit	2
4	A306 1185	Right Lock Bracket	1
5	AA06 0276	Spring	2
6	A306 1175	Right Lever	1
7	A306 1135	Left Guide Rail	1
8	A306 1182	Left Lock Bracket	1
9	A306 1174	Left Lever	1
10	A306 1078	Front Left Side Plate	1
11	A321 1057	Front Upper Stay	1
12	A321 1096	Guide Pin	2
13	A321 1083	Upper Cover	1
14	A321 1089	Base Holder	4
15	A3052922	Left Rail Bracket	1
16	A3061066	Upper Frame Holder (A306)	1
16	A3211066	Upper Frame Holder (A305)	2
17	A3061080	Left Rear Side Plate	1
18	A321 1056	Rear Upper Stay	1
19	A3061140	Rear Stay	1
20	A306 1073	Rear Right Side Plate	1
21	A4203655	Slide Rail-Cassette Bank	2
22	54462567	DetentArmShaft	1
23	54462566	Detent Arm	1
24	AA06 0078	Pressure Spring	1
25	A305 2921	Right Rail Bracket	1
26	G629 1762	Caster	2
27	A306 1069	Front Right Side Plate	1
28	A3052752	Bracket	1
29	59222332	CopierRelayFeed Guide	1
3c	A3211065	Caster - 147CN N135	
3i	A3211065	Hexagon Head Bolt - M6 x 10 N135	12

Index No.	Part No.	Description	Qty Per Assembly
100	0324 0060B	Philips Sunken Head Screw - M4x6	
101	0434 0080B	Philips Tapping Screw - M4x8	
102	0720 0050E	Retaining Ring - M5	
103	0720 0040B	Retaining Ring - M4	
104	05860101B	Bolt - M6x10 A3211065 x/c N135	
105	08053270	Ball Bearing - 8x16x5mm	
106	08055007	Caster - 150kg A3211065 x/c N135	

3. PAPER REGISTRATION (A305/A306)



3. PAPER REGISTRATION (A305/306)

Index No.	Part No.	Description	Q'ty Per Assembly
1	54472681	SnapRing	2
2	52062647	Pick-upRoller	1
3	AB01 3079	Gear-21Z	1
4	A3052705	Pick-up Roller Bracket	1
5	AA14 0381	Pick-upShaft	1
6	50530223	Bushing-8mm	3
7	AA14 0373	Feed Roller Shaft	1
8	52152621	SnapRing-M6	1
9	AF03 1012	Feed Roller	1
10	AW02 0021	Photointerruptor - 175487-3	2
11	A305 5502	Relay Harness	1
12	A305 2699	UpperStay	1
13	AA060445	Pressure Spring	1
14	A3052736	Solenoid Bracket	1
15	AA060334	Pressure Spring	1
16	AA060333	Pressure Spring	1
17	A0602584	Solenoid Lever	1
18	A0602586	Pick-up Solenoid	1
19	A028 3161	PaperFeed Stopper	1
20	AX20 0056	Magnetic Clutch	1
21	50530447	Bushing-6mm	3
22	52162582	Gear-32T	1
23	A3052686	Reverse Shaft	1
24	A3052687	Reverse Drive Shaft	1
25	A3052678	Rear Side Plate	1
26	AB01 3420	Gear - 18Z	2
27	AA066142	Pressure Spring	1
28	A3052732	Pick-upLockArm	1
29	AA145147	Pick-up Roller Shaft	1
30	A305 2702	Rear Guide Plate	1
31	A305 2716	Paper End Feeler	1
32	54432668	Bushing - 4x6x7mm	2
33	A3052701	Front Guide Plste	1
34	54131882	Stepped Screw	1
35	AA063029	Separation Pressure Spring	1

Index No.	Part No.	Description	Q'ty Per Assembly
36	A305 2685	Base Plate	1
37	A305 2682	Reverse Bracket	1
38	A060 2617	Separation Torque Lirniter	1
39	52062605	Separation Roller	1
40	A305 2694	Lower Exit Guide Plate	1
41	A305 2675	Front Side Plate	1
42	AA06 0119	Arm Spring	1
43	A305 2722	Lock Arm Bracket	1
44	A3052724	Paper End Lever	1
45	A3052718	Paper End Lock Arm	1
46	A3052690	Reverse Lever	1
100	07200040B	Retaining Ring-M4	
101	04340080B	Philips Tapping Screw - M4x8	
102	09653008 B	Tapping ScrewWith Washer- M3x8	
103	11050201	Harness Clamp	
104	03130060 B	Philips Pan Head Screw - M3x6	
105	07200030 B	Retaining Ring-M3	
106	07250120B	Retaining Ring - M12	

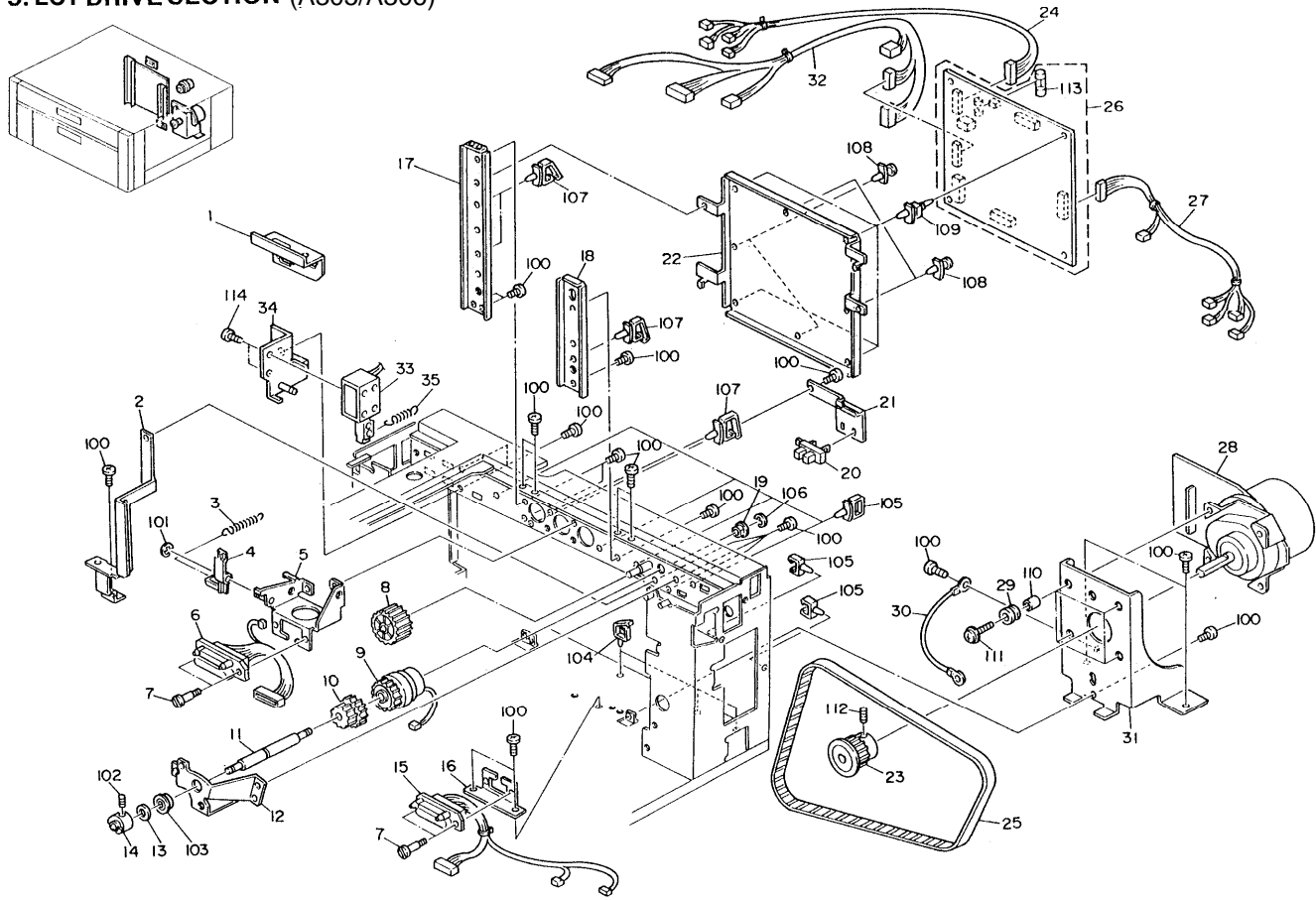


4. PAPER FEED SECTION (A305/306)

Index No.	Part No.	Description	Q'ty Per Assembly
1	A321 1152	Right Guide Plate	1
2	A305 2942	Sensor Bracket	1
3	50530223	Bushing - 8mm	5
4	A060 2633	Guide Plate Holder	1
5	58874162	Screw - Driven Guide Plate	1
6	59402583	Lift Switch Spacer	1
7	AA066107	Pressure Spring	1
8	54472681	Snap Ring	1
9	A306 1188	Duplex Exit Guide	1
10	A321 1142	Upper Exit Guide Plate	1
11	A321 2805	Magnetic Bracket	2
12	58873257	Spring - Lower Exit Roller	2
13	AA08 2009	Bushing - 8x1 2x8mm	3
14	A306 1170	Brake Clutch Shaft	1
15	AB01 3527	Gear - 39Z	1
16	AX20 0064	Magnetic Clutch	1
17	52064390	Gear - 20T	2
18	AW02 0037	Photosensor Ass'y	1
19	A306 1171	Break Middle Bracket	1
20	AA08 0017	Supporter - Drive Roller	1
21	AB03 0280	Pulley - 16Z	2
22	A321 1166	Sensor Bracket	1
23	A305 1185	Belt Tightener	1
24	A305 2811	Drive Pulley Bracket	1
25	AA06 0386	Pressure Spring	1
26	AB01 3524	Gear - 33Z	3
27	AA14 5146	LCT Drive Shaft	1
28	AA15 0267	Decal - Transport Knob	1
29	AA14 5148	Relay Shaft	1
30	AA06 3168	Pressure Spring	2
31	AA08 0034	Bushing - 4x5x7	4
32	AF02 0126	Driven Roller - Vertical Transport	2
33	A305 2762	Left Exit Guide Plate	1
34	A321 1164	Relay Roller Bracket	1
35	AW02 0038	Photosensor Ass'y	1

Index No.	Part No.	Description	Q'ty Per Assembly
36	A305 2776	Right Lower Sensor Bracket	1
37	A305 2772	Right Lower Guide Plate	1
38	AF02 0200	Drive Roller	1
39	AF02 0193	Upper Transport Relay Roller	1
40	A321 1156	Left Guide Plate	1
41	AB01 3516	Gear - 29Z	1
42	A499 2176	Exit Cover Magnet	1
43	A305 5503	Safety Switch Relay Harness	1
44	53954604	Gear - 29Z	1
100	03130140B	Philips Pan Head Screw -M3x14	
101	04340080B	Philips Tapping Screw - M4x8	
102	07200040	Retaining Ring - M4	
103	09654010	Tapping Screw W/ Flat Washer - M4x10	
104	0725 0120B	Retaining Ring - M1 2	
105	11050229	Clamp	
106	0622 0120E	Spring Pin - 2x1 2mm	
107	0951 4080B	Screw - M4x8	
108	0720 0060B	Retaining Ring - M6	
109	0622 0140E	Spring Hole Pin - 2x14mm	
110	07200030B	Retaining Ring - M3	
111	12042233	Microswitch - AH715254N(RIC)	
111	12042356	Microswitch - AM51612A531(NRG)	

5. LCT DRIVE SECTION (A305/A306)

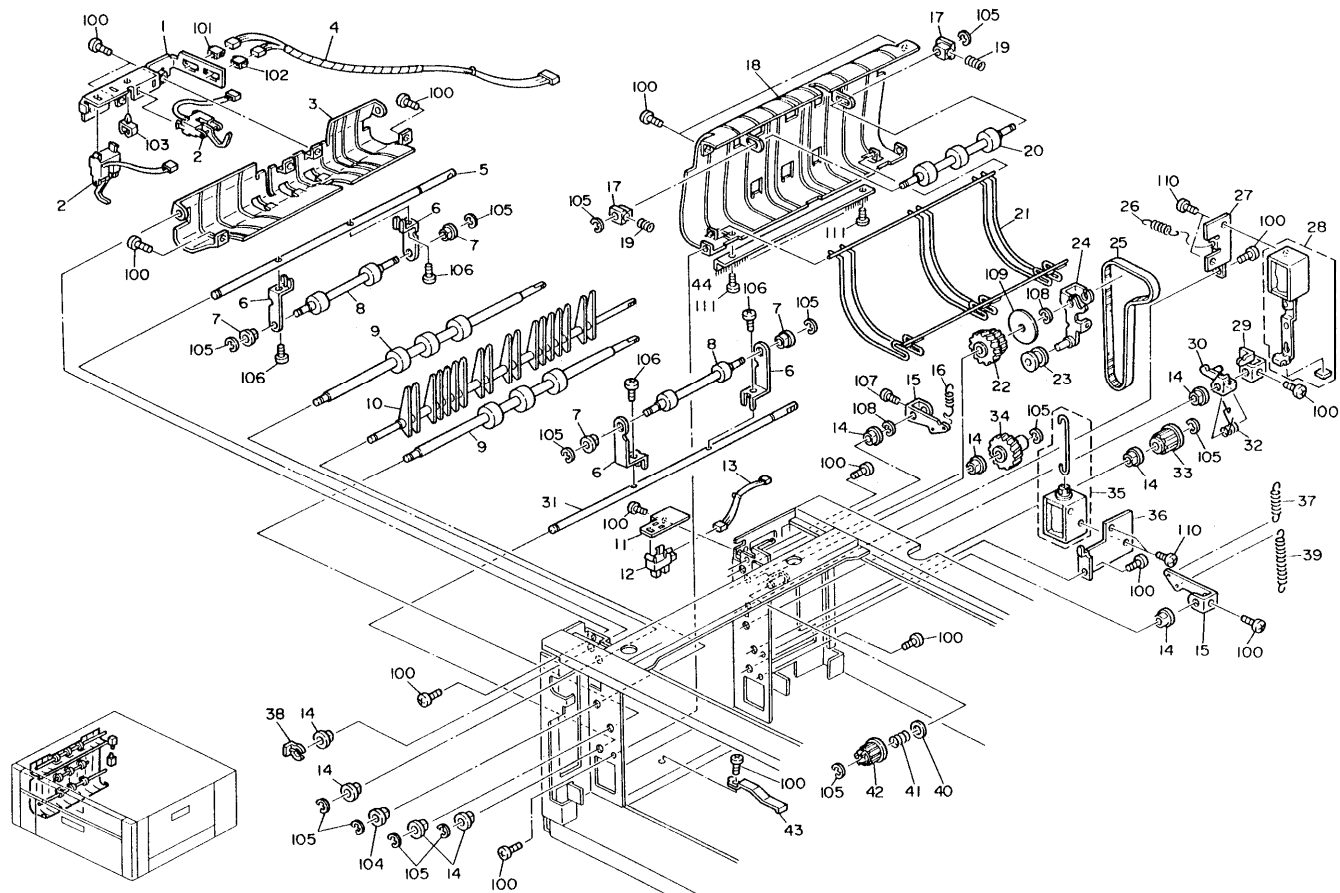


5. LCT DRIVE SECTION (A305/306)

Index No.	Part No.	Description	Q'ty Per Assembly
1	A306 2145	Connector Bracket	1
2	A306 2151	Belt Cover	1
3	52062826	Spring - Gate Arm	1
4	A009 2646	Release Lever	1
5	A306 1152	Connector Bracket	1
6	A3065501	Duplex Harness	1
7	AA14 3312	Stepped Screw - M3x10	4
8	AB01 3162	Gear - 28T	1
9	AX210023	Magnetic Clutch - 5kgfcm 32Z	1
10	AB03 0286	Pulley - 14Z	1
11	AA140382	Brake Shaft	1
12	A306 1116	Break Bracket	1
13	H0003314	Spacer -2,5	2
14	52033060	Coupling	1
15	A305 5500	LCT Harness	1
16	A305 2945	Connector Bracket	1
17	A321 1108	Rear Left Stay	1
18	A306 2127	Right Rear Stay	1
19	AA08 0022	Bushing - 4x7x5mm	1
20	AW02 0021	Photointerruptor -175487-3	1
21	A306 1156	Sensor Bracket	1
22	A306 2126	DC Drive Board Bracket	1
23	A321 1114	Pulley - 19Z	1
24	A306 5502	Inverter Harness	1
25	AA04 3126	Timing Belt - 240XL	1
26	A306 5100	DC Drive Board (RIC)	1
26	A306 5102	DC Drive Board (NRG)	1
27	A306 5503	Drive Harness	1
28	AX06 0053	DC Motor - 24v 11w	1
29	AA16 1002	Rubber Pad	4
30	A033 5384	Grounding Wire	1
31	A306 1095	Motor Brecket	1
32	A321 5500	I/F Harness	1
33	A306 1063	DC Solenoid (A306)	1
34	A306 4895	Solenoid Bracket(A306)	1

Index No.	Part No.	Description	Q'ty Per Assembly
35	59273106	Toner End Spring(A306)	1
100	0434 0080B	Philips Tapping Screw - M4x8	
101	0720 0040B	Retaining Ring - M4	
102	0574 0050E	Hexagon Headless Set Screw - M4x5	
103	08053145	Ball Bearing - 6x12x4mm	
104	11050310	Wire Clamp	
105	11050229	Clamp	
106	0720 0030B	Retaining Ring - M3	
107	11050262	Wire Saddle	
108	11050183	Spacer	
109	11050193	Nylon Stud	
110	0707 5050B	Collar - M5	
111	0951 4012B	Philips Screw With Flat Washer - 4x12	
112	0575 0080E	Hexagon Headless Set Screw - M5x8	
113	11070392	Fuse - 6.3A(RIC)	
113	11070753	Fuse - 6.3A 250V(NRG)	
114	03130050B	Philips Pan Head Screw - M3x5	

6. INVERTER SECTION (A305/A306)

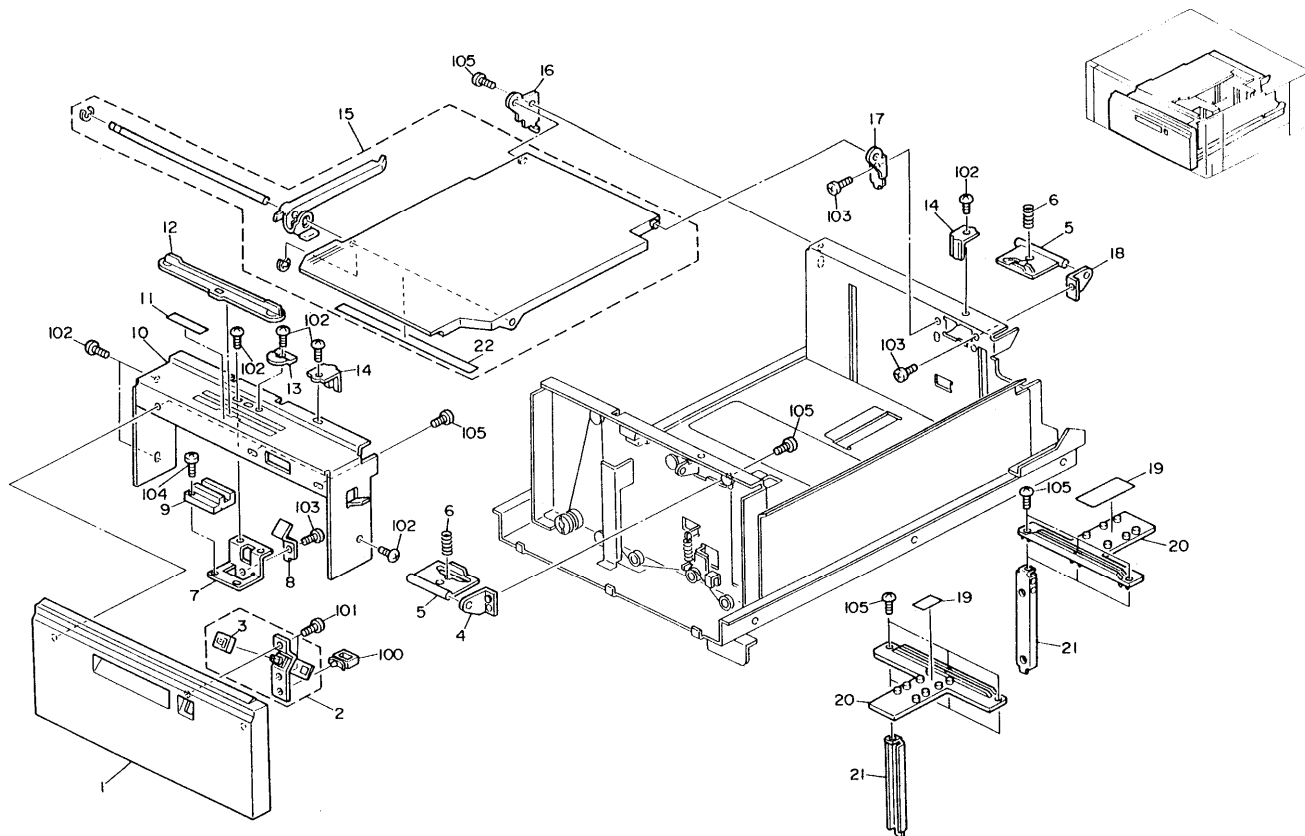


6. INVERTOR SECTION (A305/306)

Index No.	Part No.	Description	Q'ty Per Assembly
1	A306 20r88	Left Sensor Bracket	1
2	AW02 0044	Photosensor Ass'y	2
3	A3062057	Upper Exit Guide Plate	1
4	A3065507	Inverter Relay Harness	1
5	AA140378	Roller Shaft	1
6	A3062065	Reverse Roller Arm	4
7	AA08 0022	Bushing-4x7x5mm	4
8	AF02 0203	Driven Roller	2
9	AF02 0204	Drive Roller	2
10	A3062069	InverterGate	1
11	A3062053	SensorBracket	1
12	AW02 0021	Photointerruptor -175487-3	1
13	A306 5506	Left Door Relay Harness	1
14	50530447	Bushing -6mm	8
15	A3062066	Reverse Roller Lever	2
16	AA060354	Pressure Spring	1
17	AA080034	Bushing -4x5x7	2
18	A3062059	Lower Exit Guide Plate	1
19	58874157	Spring -Exit Roller (A306)	2
19	AA063168	Pressure Spring(A305)	2
20	AF020126	Driven Roller-Vertical Transport	1
21	A3062150	Left Lower Guide Plate	1
22	AB030288	Pulley-18/25Z	1
23	A0074914	Idler Roller	1
24	A3062093	Tightener	1
25	AA043127	Timing Belt- P165	1
26	AA06 0355	Pressure Spring	1
27	A3062083	Inverter Solenoid Bracket	1
28	A3062080	InverterSolenoid	1
29	A3062071	Inverter Gate Lever	1
30	A3062074	InverterGate Lever	1
31	AA140377	Reverse Roller Driven Shaft	1
32	AA066139	Pressure Spring	1
33	AB030017	Pulley - 25T	1
34	AB013526	Gear - 18Z	1

Index No.	Part No.	Description	Q'ty Per Assembly
35	A306 2043	DC Solenoid	1
36	A3062077	Solenoid Bracket	1
37	AA06 0353	Pressure Spring	1
38	54472681	Snap Ring	1
39	55076191	Stopper RollerSpring	1
40	AA132025	Spacer- 1x8x12	1
41	AA06 3179	PressureSpring	1
42	AB030287	Pulley - 25Z	1
43	A3062060	LowerSupportGate	1
44	AA120002	Antistatic Brush - Fork Gate 4	1
100	04340080B	Philips Tapping Screw - M4x8	
101	11025145	Connector-3P-BLUE	
102	11024559	Connector-3P	
103	11050229	Clamp	
104	08053384	Bushing - 5mm	
105	07200030B	Retaining Ring - M3	
106	03130080B	Philips Pan Head Screw - M3x8	
107	03130100B	Philips Pan Head Screw - M3x10	
108	07200040B	Retaining Ring-M4	
109	08074103	Spacer - 0.5mm	
110	03130040B	Philips Pan Head Screw - M3x4	
111	03130060B	Philips Pan Head Screw - M3x6	

7. LCT TRAY 1 (A305/A306)

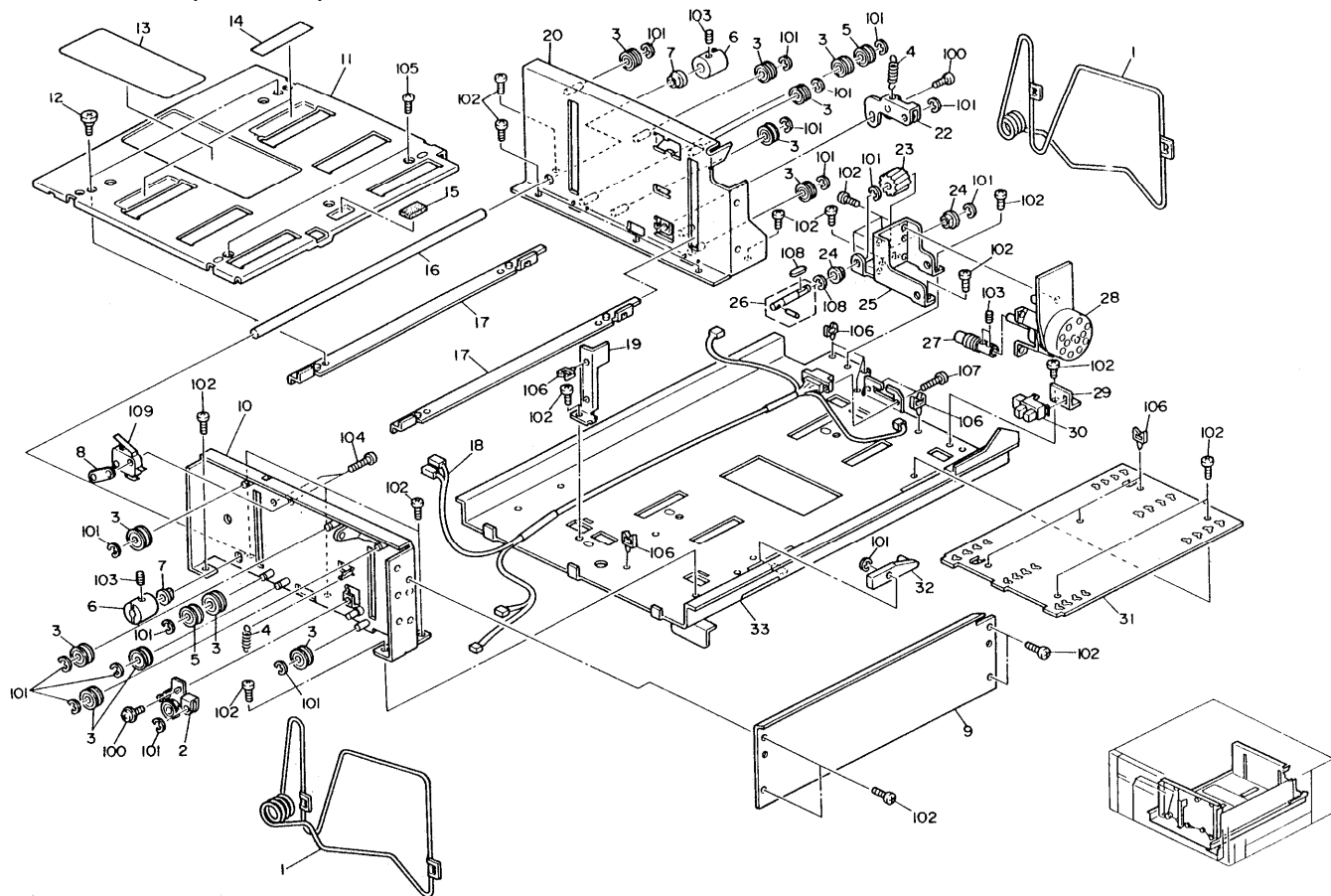


7. LCT TRAY 1 (A305/306)

Index No.	Part No.	Description	Q'ty Per Assembly
1	A305 2952	Front Cover	1
2	52195500	Tray Button Switch	1
3	52195501	Operation Switch	1
4	A305 2616	Front Lever Bracket	1
5	A305 2618	Side Fence Lever	2
6	AA06 3168	Pressure Spring	2
7	A305 2651	PaperSize Sensor Bracket	1
8	A3052652	Spring Plate	1
9	A0095521	Photointerruptor	1
10	A3052956	Inner Cover	1
11	AA002167	Decal - Paper Size(RIC)	1
11	AA00 0077	Decal - Paper Size (NRG)	1
12	A3052654	Paper Size Plate	1
13	A305 2661	Fixing Plate - Paper Size Plate	1
14	A3052660	Side Fence Fixing Plate	2
15	A3057006	Upper Cover	1
16	A3052632	Upper Left Cover Bracket	1
17	A3052631	UpperCoverBracket	1
18	A305 2617	Rear Lever Bracket	1
19	AA00 2168	Decal -Side Fence B (RIC)	2
19	AA000074	Decal -Side Fence B (NRG)	2
20	A3052624	Side Fence Knob (RIC)	2
20	A3052622	Side FenceKnob(NRG)	2
21	A3052623	Side Fence	6
22	AA002171	Decal -Side Fence (RIC)	1
22	AA002189	Decal -Side Fence (NRG)	1

Index No.	Part No.	Description	Q'ty Per Assembly
100	11050310	WireClamp	
101	04340082B	TappingScrew -M4x8	
102	08025211	TappingScrew	
103	04340080B	PhilipsTapping Screw-M4x8	
104	03140t20B	Philips Pan Head Screw - M4x12	
105	03440060D	Philips Truss Head Screw- M4x6	

8. LCT TRAY 2 (A305/A306)

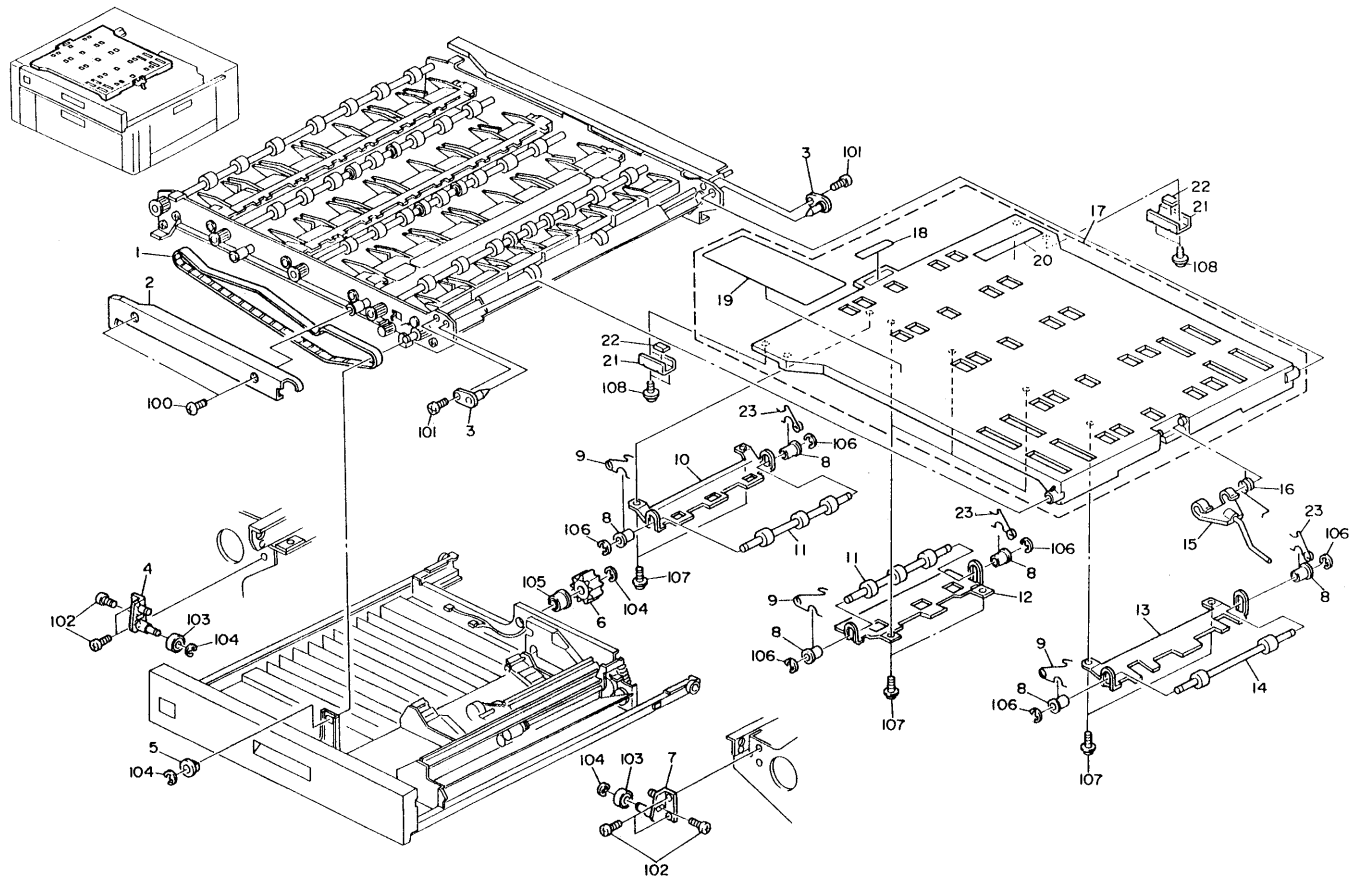


8. LCT TRAY 2 (A305/306)

Index No.	Part No.	Description	Qty Per Assembly
1	A3052610	ArrayLiftWire	2
2	A0283356	Rear Wire Tightener	1
3	5446 2620	IdlerPulley-20	12
4	5403 1030	TensionSpring	2
5	5446 2621	Idler Pulley -16	2
6	5446 2671	DrivePulley- Paper Tray	2
7	5053 0419	Bushing-10mm	2
8	5056 0509	Nut Plate - Microswitch	1
9	A3052581	Side Plate	1
10	A3052550	Front Side Plate	1
11	A3052592	PaperTray	1
12	54131882	Stepped Screw	2
13	AA002173	Decal - Paper Set (RIC)	1
13	AA002190	Decal - Paper Set (NRG)	1
14	AA002169	Decal - Side Fence A(RIC)	2
14	AA000073	Decal - Side Fence A(NRG)	2
15	52012858	Friction Pad	1
16	AA14 0380	Drive Shaft	1
17	A3052598	Right Stay	2
18	A305 5501	LCT Unit Harness	1
19	A3052932	Harness Bracket	1
20	A3052560	Rear Side Plate	1
22	54462630	Front Wire Tightener	1
23	54462702	Gear-22T	1
24	50530223	Bushing - 8mm	2
25	A3052645	Tray Motor Bracket	1
26	54462700	Drive GearShaft	1
27	54462698	Worm Gear	1
28	AX060051	DC Motor - 24v 11.2w	1
29	A3052642	Sensor Bracket	1
30	AW020021	Photointerruptor -175487-3	5
31	A3052579	Side Fence Base(RIC)	1
31	A3052578	Side Fence Base(NRG)	1
32	54152642	Lock Arm	1
33	A3052570	LCT Base	1

Index No.	Part No.	Description	Qty Per Assembly
100	09644008B	TappingScrewWith FlatWasher-M4x8	
101	07200040B	Retaining Ring - M4	
102	04340080B	Philips Tapping Screw - M4x8	
103	05750050E	Hexagon Headless Set Screw - M5x5	
104	03130140B	Philips Pan Head Screw -M3x14	
105	03440060D	Philips Truss Head Screw - M4x6	
106	11050229	Clamp	
107	03130080B	Philips Pan Head Screw - M3x8	
108	09300400G	Parallel Key - 4x4x10	
109	12042259	Micro Switch - AH73523604N	

9. DUPLEX SECTION 1 (A305/A306)

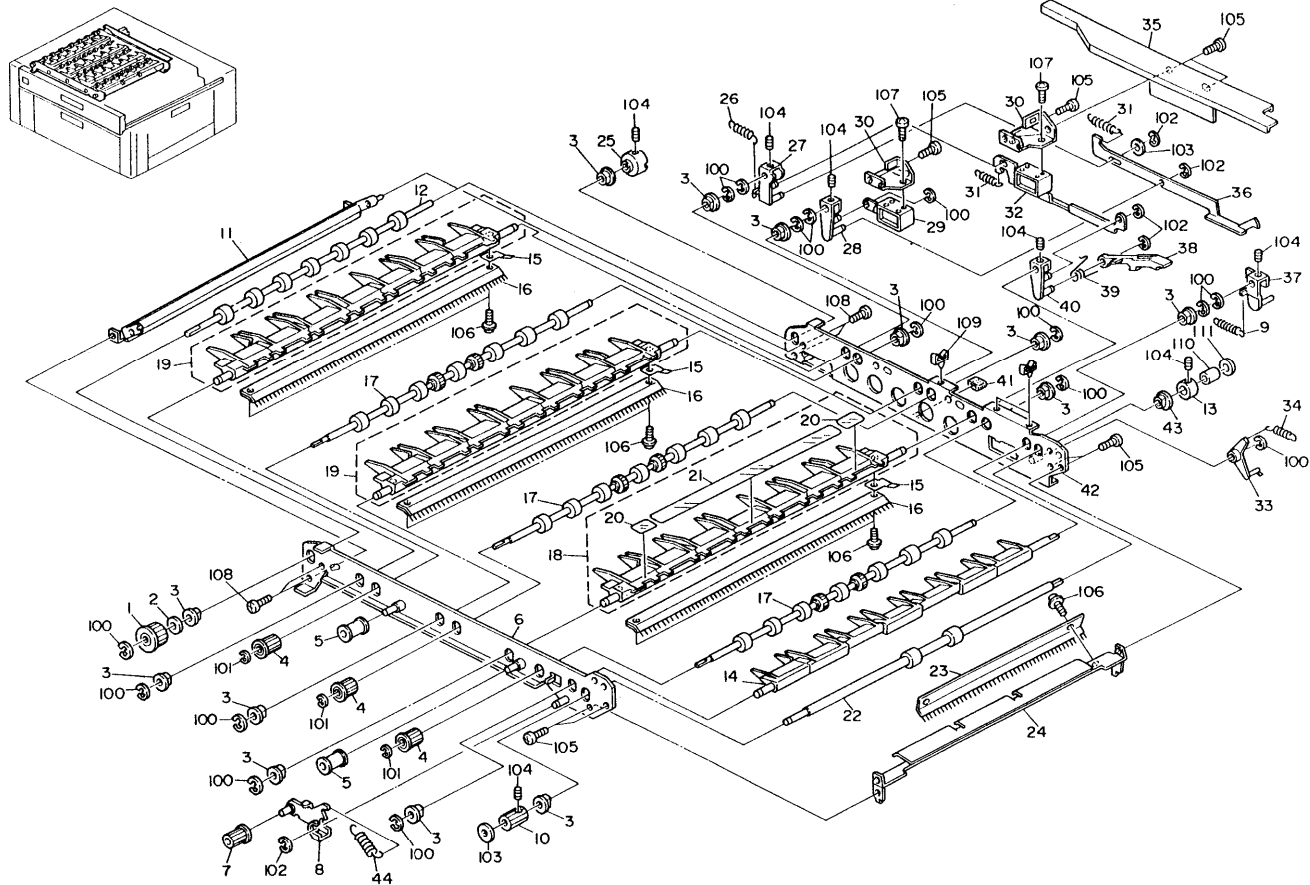


9. DUPLEX SECTION 1 (306)

Index No.	Part No.	Description	Q'ty Per Assembly
1	A306 4712	Timing Belt - 296MXL4.8	1
2	A306 4750	Transport Inner Cover	1
3	A316 4546	Cover Holder	2
4	A306 1211	Left Rail Bracket	1
5	50530447	Bushing - 6mm	1
6	AB01 3205	Gear - 20T	1
7	A306 1212	Right Rail Bracket	1
8	54432668	Bushing - 4x6x7mm	10
9	AA06 6140	Pressure Spring	5
10	A306 4729	Transport Guide Plate	1
11	AF02 0205	Duplex Exit Roller	4
12	A306 4737	Duplex Guide Plate	3
13	A306 4736	Exit Guide Plate	1
14	AF02 0201	Exit Roller	1
15	A306 4749	Duplex Middle Guide Plate	1
16	AA06 6151	Pressure Spring	1
17	A306 7010	Transport Upper Cover Ass'y	1
18	AA150267	Decal - Transport Knob	3
19	AA002174	Decal - Misfeed Removal F(RIC)	1
19	AA00 0402	Decal - Misfeed Removal F(NRG)	1
20	AA15 0320	Sheet - 14x190	1
21	A009 4320	Magnet Holder	2
22	AA02 1023	Magnetic Guide	2
23	AA06 6194	Pressure Spring	5

Index No.	Part No.	Description	Q'ty Per Assembly
100	08025094	Tapping Truss Head Screw -M4x8	
101	0434 0080B	Philips Tapping Screw -M4x8	
102	04340060B	Philips Tapping Screw - M4x6	
103	07403505	Bearing	
104	07200040B	Retaining Ring - M4	
105	07423808	Ball Bearing - 8x16x5	
106	072000306	Retaining Ring - M3	
107	09654008B	Tapping Screw - M4x8	
108	09654006B	Tapping Screw - M4x6	

10. DUPLEX SECTION 2 (A305/A306)

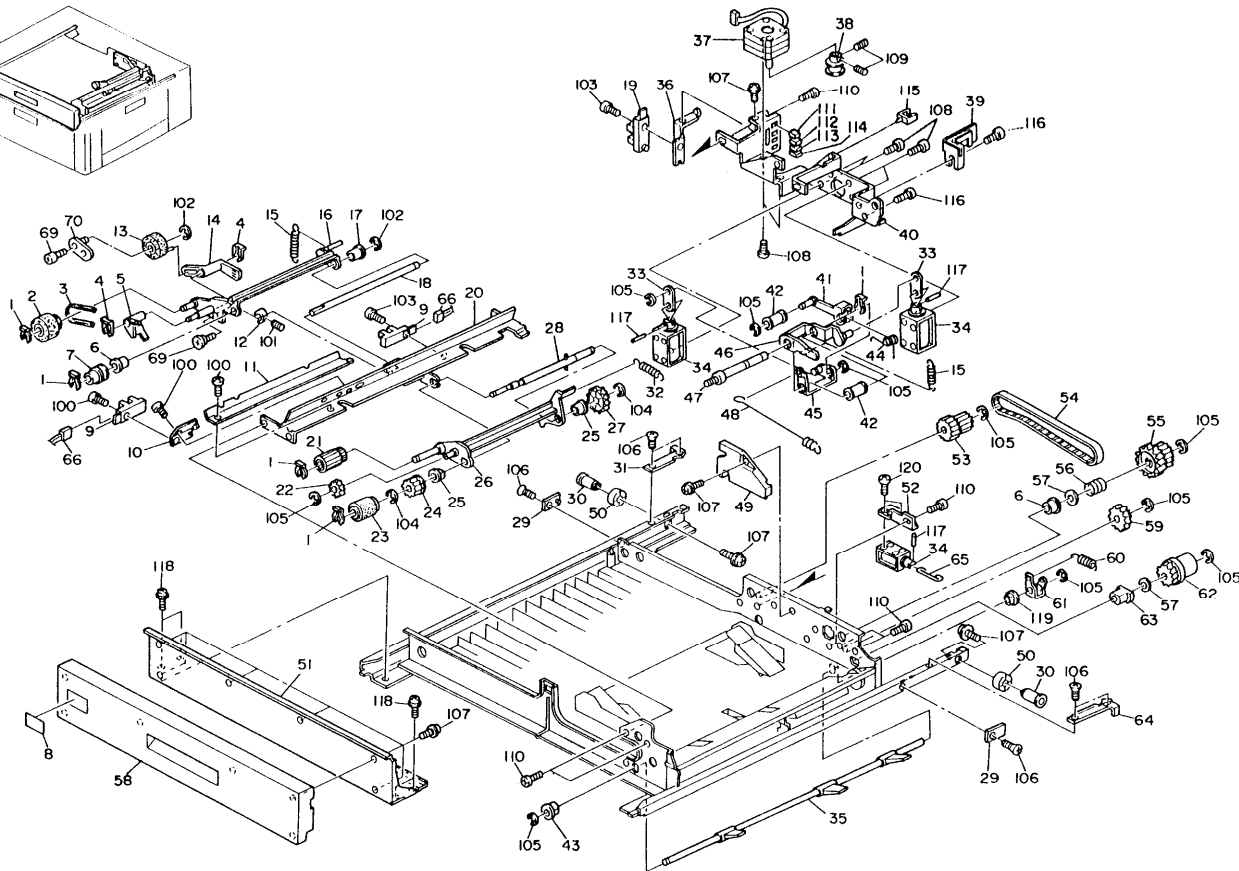
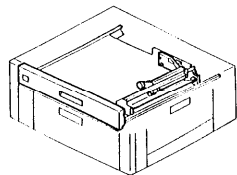


10. DUPLEX SECTION 2(A306)

Index No.	Part No.	Description	Qty Per Assembly
1	AB03 0017	Pulley-25T	1
2	H000 3314	Spacer-2.5	1
3	50530447	Bushing-6mm	14
4	AB03 0018	Pulley-20T	3
5	G006 4541	Transport BeltRoller	2
6	A3064720	Front Side Plate	1
7	59362274	IdlePulley-16T	1
8	A306 4728	TightenerPulley	1
9	52084173	Spring-Stripper	1
10	AB03 0284	Pulley - 18Z	1
11	A0074927	Entrance Guide Plate - Fork Gate	1
12	AF020207	Transport Roller	1
13	A3064713	Color -8	1
14	AF025003	Fork GatePawl-Small	2
15	A0074947	Plate Spring	3
16	AA12 0001	Antistatic Brush- Fork Gate	3
17	AF02 0208	Transport Roller	3
18	A3064730	Fork GatePawl -Large	1
19	AF02 5002	Fork Gate Pawl - Large	2
20	AA150296	Sheet - 19x31	2
21	AA15 0295	Sheet - 19x195	1
22	AF020206	Exit Roller	1
23	AA120002	Antistatic Brash - Fork Gate 4	2
24	A3064739	Support Stay	1
25	A3064708	Joint	1
26	AA06 0061	Spring - Fork GateLever	1
27	A0074950	First Gate Arm	1
28	A0074955	Second Gate Arm	1
29	A3064632	Right Gate Solenoid	1
30	A3064748	Solenoid Bracket	2
31	52062826	Spring - Gate Arm	2
32	A3064631	Left Gate Solenoid	1
33	A0074973	Release Lever - Fork Gate	1
34	54464235	Spring - Hot Roller Stripper	1
35	A306 4751	Transport Rear Cover	1

Index No.	Part No.	Description	Qty Per Assembly
36	A007 4970	Fork Gate Lever	1
37	A007 4965	Junction Gate Shaft Arm	1
38	A007 4972	Fork Gate Actuator	1
39	AA06 6018	Spring - Fork Gate Actuator	1
40	A007 4960	Third Gate Arm	1
41	AA16 1016	Cushion - Fork Gate	1
42	A306 4718	Rear Side Pide Plate	1
43	AA08 0066	Bushing - 8x12x6	1
44	A012 1945	Spring - Original Stopper Solenoid	1
100	0720 0050B	Retaining Ring - M5	1
101	0720 0030B	Retaining Ring - M3	1
102	0720 0040B	Retaining Ring - M4	1
103	08074043	Spacer	1
104	05740050E	Hexagon Headless Set Screw - M4x5	1
105	04340080B	Philips Tapping Screw - M4x8	1
106	09653006B	Tapping Screw With Flat Washer M3x6	1
107	03130040B	Philips Pan Head Screw - M3x4	1
108	04340060B	Philips Tapping Screw - M4x6	1
109	11050199	Clamp	1
110	07078080B	Bushing - 8x8mm	1
111	08074090	Washer - 8.2mm	1

11. DUPLEX SECTION 3 (A305/A306)



11. DUPLEX SECTION 3 (A306)

Index No.	Part No.	Description	Qty Per Assembly
1	54472681	Snap Ring	2
2	AF03 1001	Duplex Positioning Roller	1
3	AA04 2001	Feed Drive Belt	1
4	52062686	SnapRing	2
5	52062690	Duplex Paper Actuator	1
6	52062677	Bushing-6x10x7mm	2
7	AB03 2017	Feed Roller Pulley -25T	1
8	AA00 1222	Decal -Duplex	1
9	52055251	LED Sensor Type -T	1
10	A306 4889	Paper End Sensor Bracket	1
11	A306 4866	Sensor Harness Cover	1
12	AA13 2144	Color -6x14x10	1
13	52062680	Entrance Actuator Roller	1
14	52062685	Entrance Actuator Plate	1
15	AA060434	Pressure Spring	2
16	A0074820	Feed Roller Arm	1
17	AA080021	Bushing -6x12x4mm	1
18	AA140376	Arm Shaft	1
19	AW020021	Photointerruptor - 175487-3	2
20	A3064886	Upper Stay	1
21	AF030001	Duplex Pick -Up Roller	1
22	54472706	Gear- 15T	1
23	AF010003	Feed Roller	1
24	AB013105	Gear - 18T	1
25	AA080020	Bushing -8x16x5mm	2
26	A3064879	Pick-up Roller Arm	1
27	AB01 3087	Gear - 30T	1
28	A3064932	Paper Feed Shaft	1
29	A3064822	Rear Frame Guide	2
30	AA14 3311	Rail Roller Shaft	2
31	A3064893	Left Rail Guide	1
32	AA06 0435	Pressure Spring	1
33	A3064857	Solenoid Link	2
34	AX110031	DC Solenoid	3
35	A306 4801	Paper Stopper	1

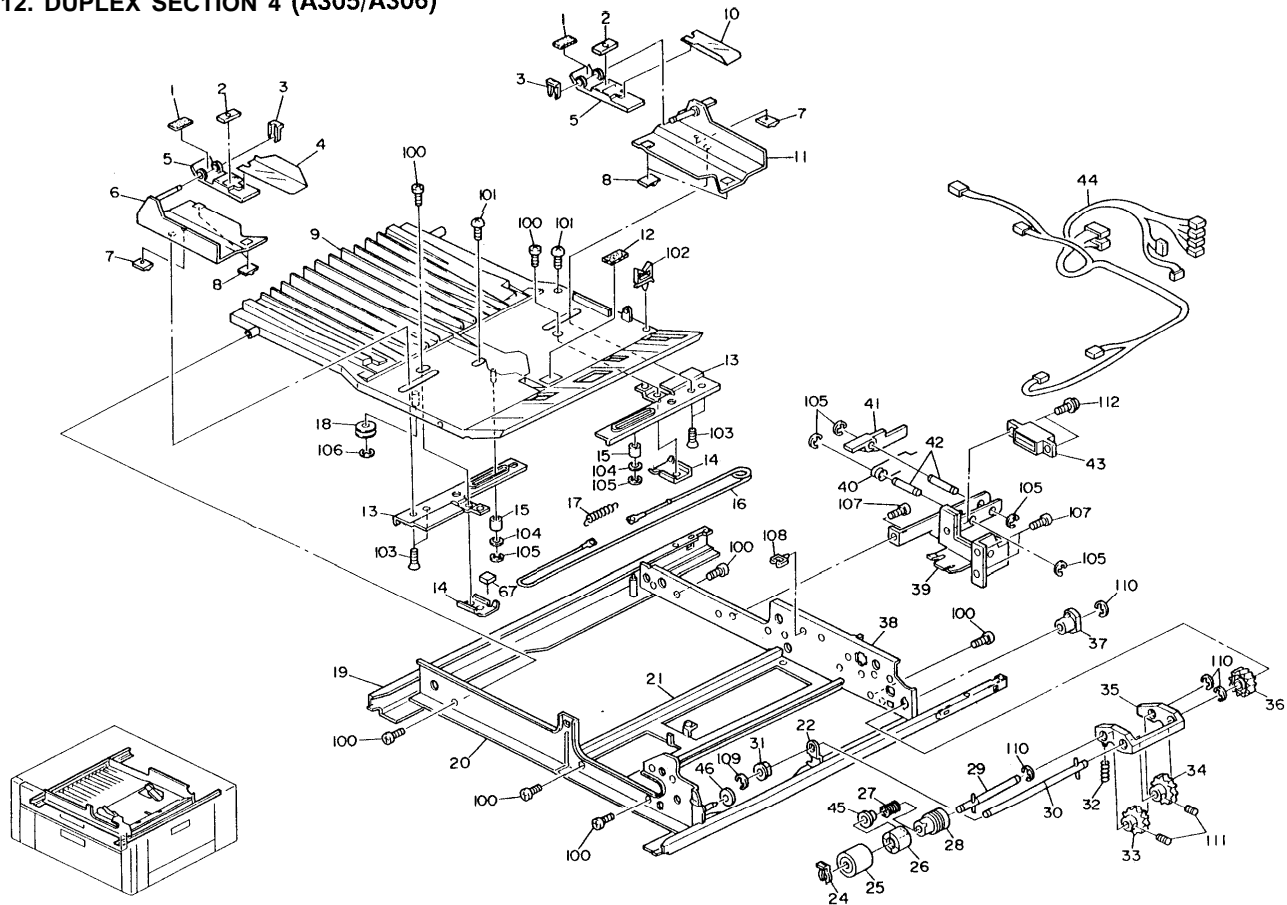
MB2

Index No.	Part No.	Description	Qty Per Assembly
36	A007 4722	Home Sensor Bracket	1
37	AX05 0009	Stepping Motor -DC24V	1
38	AB03 2031	Jogger Pulley	1
39	A306 4804	Harness Guide	1
40	A306 4844	Jogger Motor Bracket	1
41	A306 4869	Tightener	1
42	G006 4541	Transport Belt Roller	2
43	50530447	Bushing - 6mm	1
44	AA06 6141	Pressure Spring	1
45	A306 4864	Solenoid Lever	1
46	A306 4861	Solenoid Lever	1
47	AA14 3310	Solenoid Lever Shaft	1
48	AA06 0352	Pressure Spring	1
49	A306 4902	Harness Cover	1
50	A306 1183	Guide Roller	2
51	A306 4914	Inner Cover	1
52	A306 4840	Solenoid Bracket	1
53	AB03 0283	Pulley - 20Z726Z	1
54	AA04 3125	Timing Belt -175MXL 6.4	1
55	AB03 0285	Pulley - 30Z/38Z	1
56	AA06 3178	Cushion Spring	1
57	AA132025	Spacer - 1x8x12	2
58	A306 4913	Duplex Tray Cover	1
59	AB01 3525	Gear - 22Z	1
60	52062826	Spring - Gate Arm	1
61	A306 4838	Stopper Lever	1
62	AX20 0063	Magnetic Clutch - 5kgfcm 30Z	1
63	52062651	Ball Bearing -8x20x13mm	1
64	A306 4899	Right Rail Guide	1
65	A306 4843	Stopper Link	1
66	A306 5505	Relay Harness	1
67	A469 2123	Rubber Cushion - 1x10x10mm	1
68	52062684	Shoulder Screw - M3	1
69	52062687	Stud Screw - M3	1
70	52062681	Axle Plate	1

Index No.	Part No.	Description	Q'ty Per Assembly
100	0314 0100B	Philips Pan Head Screw - M4x10	
101	0573 0060E	Hexagon Headless Set Screw - M3x6	
102	0720 0060B	Retaining Ring - M6	
103	0314 0120B	Philips Pan Head Screw - M4x12	
104	0720 0050B	Retaining Ring - M5	
105	0720 0040B	Retaining Ring - M4	
106	0323 0060B	Philips Sunk Screw - M3x6	
107	0964 4008B	Tapping Screw With Flat Washer - M4x8	
108	0313 0060B	Philips Pan Head Screw - M3x6	
109	0574 0050E	Hexagon Headless Set Screw - M4x5	
110	0434 0080B	Philips Tapping Screw - M4x8	
111	11025144	Connector - 2P	
112	11025142	Connector - 2P - Yellow	
113	11025373	Connector - 2P	
114	11024473	CT Connector -2P	
115	11050229	Clamp	
116	0314 0060B	Philips Pan Head Screw - M4x6	
117	0623 0100E	Spring Pin - 3x10mm	
118	0960 4006B	Philips Flange Screw - M4x6	
119	08053384	Bushing - 5mm	
120	0313 0040B	Philips Pan Head Screw - M3x4	

Index No.	Part No.	Description	Q'ty Per Assembly

12. DUPLEX SECTION 4 (A305/A306)



12. DUPLEX SECTION 4(A306)

Index No.	Part No.	Description	Qty Per ssembly
1	52062929	Cushion - Duplex Settler	2
2	52062926	Weight - Duplex Settler	2
3	52062686	SnapRing	6
4	A0074746	Duplex Setter Mylar - Front	1
5	A3064903	Paper Pressure Plate	2
6	A3064875	FrontJoggerFence	1
7	A0074740	JoggerFenceShoe -1	2
8	A0074739	JoggerFenceShoe -2	4
9	A3064872	JoggerFenceTable	1
10	A0074749	Duplex Setter Mylar -Rear	1
11	A3064878	RearJoggerFence	1
12	52062557	Friction Pad - Duplex Guide Plate	1
13	A0074744	GuidePlate-Jogger Fence	2
14	52062877	Wire Clamp Plate	2
15	A0074927	Entrance Guide Plate - Fork Gate	1
16	AA05 0058	JoggerDriveWire	1
17	52062876	Spring-Wke	1
18	AB032030	Pulley	1
19	A3064896	LeftRail Duplex Unit	1
20	A3064859	Front Side Plate	1
21	A3064831	Jogger LowerStay	1
22	A3064833	Reverse Roller Bracket	1
23	A3064892	Right Rail Duplex Unit	1
24	54472681	Snap Ring	1
25	52062605	Separation Roller	1
26	54472678	Slip Clutch Cover	1
27	52062607	Spring-Separation	1
28	54472676	Output Hub	1
29	52062603	Separation Drive Shaft	1
30	A0074854	Separation Drive Shaft	1
31	50530447	Bushing-6mm	1
32	AA063236	Pressure Spring	1
33	52062609	Gear-22T	1
34	52052608	Gear-23T	1
35	A3064808	SeparatorArm	1

Index No.	Part No.	Description	Qty Per ssembly
36	AB013088	Helical Gear - 29T	1
37	AA083003	Bushing-6x18x5mm	1
38	A3064855	Rear Side Plate	1
39	A3064835	Connector Bracket	1
40	A0092592	Spring -Pressure Release Lever	1
41	A0092588	Release Lever-3rd Cassette	1
42	AA14 48343	FeelerShaft	2
43	A3064902	Harness Cover	1
44	A3065504	DuplexUnitHarness	1
45	54472695	Input Hub	1
46	AA16 1074	Cushion- 1.2x6.5x14	1
100	0434 0080E	PhilipsTapping Screw - M4x8	
101	03440060F	Philips Truss lead Screw -M4x6	
102	11050196	Harness Clamp	
103	0323 0060E	PhilipsSunkScrew - M3x6	
104	08073014	NylonWasher	
105	07200030E	Retaining Ring - M3	
106	07200040E	Retaining Ring - M4	
107	04340060E	PhilipsTapping Screw -M4x6	
108	11050229	Clamp	
109	07200060E	Retaining Ring - M6	
110	07200050E	Retaining Ring - M5	
111	0574 0040E	Hexagon Headless Set Screw- M4x4	
112	09654008E	Tapping Screw- M4X8	

13. DC DRIVE BOARD (A306)

CAPACITOR

SYMBOL NO.	INDEX NO.
C601	119
C602	119
C603	118
C604	117

CONNECTOR

SYMBOL NO.	INDEX NO.
CN601	103
CN602	102
CN603	104
CN604	105
CN605	101

DIODE

SYMBOL NO.	INDEX NO.
D601	108
D602	108
D603	108
D604	108
D605	108
D606	108
D607	108
D608	108
D609	108
D610	109
D611	109

F.S.

SYMBOL NO.	INDEX NO.
F.S.	106 107

IC

SYMBOL NO.	INDEX NO.
IC601	113
IC602	112
IC603	111

PC

SYMBOL NO.	INDEX NO.
PC601	110

RAY

SYMBOL NO.	INDEX NO.
RAY601	114
RAY602	116
RAY603	115

RESISTOR

SYMBOL NO.	INDEX NO.
R601	122
R602	121
R603	120
R604	120
R605	123
R606	124

13. DC DRIVE BOARD (A305)

Index No.	Part No.	Description	Qty Per assembly
*	A3055100	DC Drive Board	1

Index No.	Part No.	Description	Qty Per assembly
101	11024212	CT Header-15P	
102	11024497	Connector- 13P	
103	11025326	Connector- 4P	
104	11025412	Connector-26P	
105	11025413	Connector-28P	
106	11040351	Fuse Holder	
107	11070392	Fuse -6.3A (RIC)	
107	11070753	Fuse -6.3A250V(NRG)	
108	14010825	Diode- 1SS176	
109	14020780	Diode - 11ES2	
110	14030238	IC - TLP521	
111	14071535	IC - TD62308AP	
112	14071964	IC - TD62304AP	
113	14073718	IC - M66320P	
114	16017239	Resistor Array -1 m Ω 1/8w	
115	16017349	Resistor Array -470 Ω 1/8w \pm 5%	
116	16017576	Resistor -1 k Ω \pm 5% 1/8w	
117	16041363	Capacitor - 10 μ F \pm 20% 25V	
118	16060807	Capacitor - 0.1 μ F + 80% -20% 50V	
119	16060867	Capacitor - 3300pF 50V	
120	16114100	Resistor -10 Ω 1/4w	
121	16114102	Resistor -1 k Ω 1/4t \pm 5%	
122	16114105	Resistor -1 m Ω 1/4t \pm 5%	
123	16114121	Resistor -120 Ω 1/4t \pm 5%	
124	16115222	Resistor - 2.2k Ω 1/2w	

14. DC DRIVE BOARD (A305)

CAPACITOR

SYMBOL NO.	INDEX NO.
C601	125
C602	125
C603	124
C604	124
C605	123

CONNECTOR

SYMBOL NO.	INDEX NO.
CN601	106
CN602	104
CN603	108
CN604	109
CN605	102
CN606	107
CN607	105
CN608	101

DIODE

SYMBOL NO.	INDEX NO.	SYMBOL NO.	INDEX NO.
D601	112	D611	112
D602	112	D612	112
D603	112	D613	114
D604	112	D614	114
D605	112	D615	114
D606	112	D616	114
D607	112	D617	114
D608	112	D618	114
D609	112		
D610	112		

F.S.

SYMBOL NO.	INDEX NO.
F.S.	110
	111

IC

SYMBOL NO.	INDEX NO.
IC601	119
IC602	119
IC603	117
IC604	116
IC605	116
IC606	117
IC607	116
IC608	118

PC

SYMBOL NO.	INDEX NO.
PC601	115

RAY

SYMBOL NO.	INDEX NO.
RAY601	120
RAY602	122
RAY603	121
RAY604	121

RESISTOR

SYMBOL NO.	INDEX NO.
R601	127
R602	126
R603	126
R604	128
R605	129

ZENER DIODE

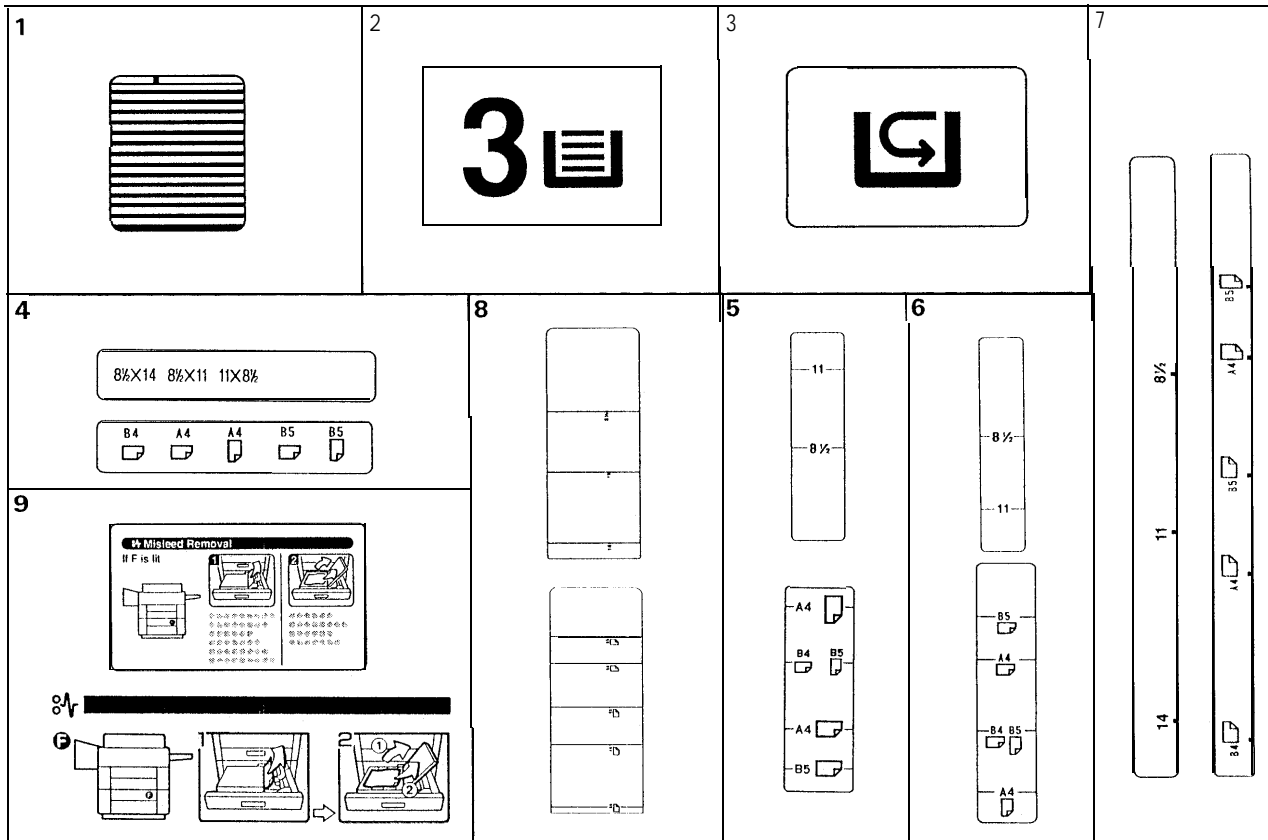
SYMBOL NO.	INDEX NO.
ZD601	113
ZD602	113

14. DC DRIVE BOARD (A306)

Index No. *	Part No.	Description	Qty Per Assembly
	A3065100	DC Drive Board	1

Index No.	Part No.	Description	Qty Per Assembly
101	11024202	Connector - 3P	
102	11024212	CT Header - 15P	
104	11024497	Connector - 13P	
105	11025007	CT Header - 14P	
106	11025326	Connector - 4P	
107	1025411	Connector - 24P	
108	11025412	Connector - 26P	
109	11025413	Connector - 28P	
110	11040351	Fuse Holder	
111	11070392	Fuse - 6.3A (RIC)	
111	11070753	Fuse - 6.3A 250V (NRG)	
112	14010825	Diode - 1SS176	
113	14020277	Zener Diode - 1Z12	
114	14020780	Diode - 11ES2	
115	14030238	IC - TLP521	
116	14071535	IC - TD62308AP	
117	14071964	IC - TD62304AP	
118	14073276	IC - TC74HC14AP	
119	14073718	IC - M66320P	
120	16017239	Resistor Array - 1m Ω 1/8w	
121	16017348	Resistor Array - 470 Ω 1/8w \pm 5%	
122	16017576	Resistor - 1k Ω \pm 5% 1/8w	
123	16041363	Capacitor - 10 μ F \pm 20% 25V	
124	16060807	Capacitor - 0.1 μ F +80%-20% 50V	
125	16060867	Capacitor - 3300pF 50V	
126	16114100	Resistor - 10 Ω 1/4w	
127	16114105	Resistor - 1m Ω 1/4t \pm 5%	
128	16114121	Resistor - 120 Ω 1/4t \pm 5%	
129	16115222	Resistor - 2.2k Ω 1/2w	

15. DECAL AND DOCUMENT (A305/A306)



15. DECAL AND DOCUMENT (A305/306)

Index No.	Part No.	Description	Q'ty Per Assembly
1	5446 2638	Decal - Paper Lower Limit	1
2	AA00 1220	Decal - N03	1
3	AA00 1222	Decal - Duplex	1
4	AA00 2167	Decal - Paper Size(RIC)	1
4	AA00 0077	Decal - Paper Size(NRG)	1
5	AA002168	Decal - Side Fence B(RIC)	2
5	AA00 0074	Decal - Side Fence B(NRG)	2
6	AA002169	Decal - Side Fence A(RIC)	2
6	AA00 0073	Decal - Side Fence A(NRG)	2
7	AA002171	Decal - Side Fence(RIC)	1
7	AA002189	Decal - Side Fence(NRG)	1
8	AA002173	Decal - Paper Set(RIC)	1
8	AA002190	Decal - Paper Set(NRG)	1
9	AA002174	Decal - Misfeed Removal F(RIC)	1
9	AA00 0402	Decal - Misfeed Removal F(NRG)	1

Index No.	Part No.	Description	Q'ty Per Assembly